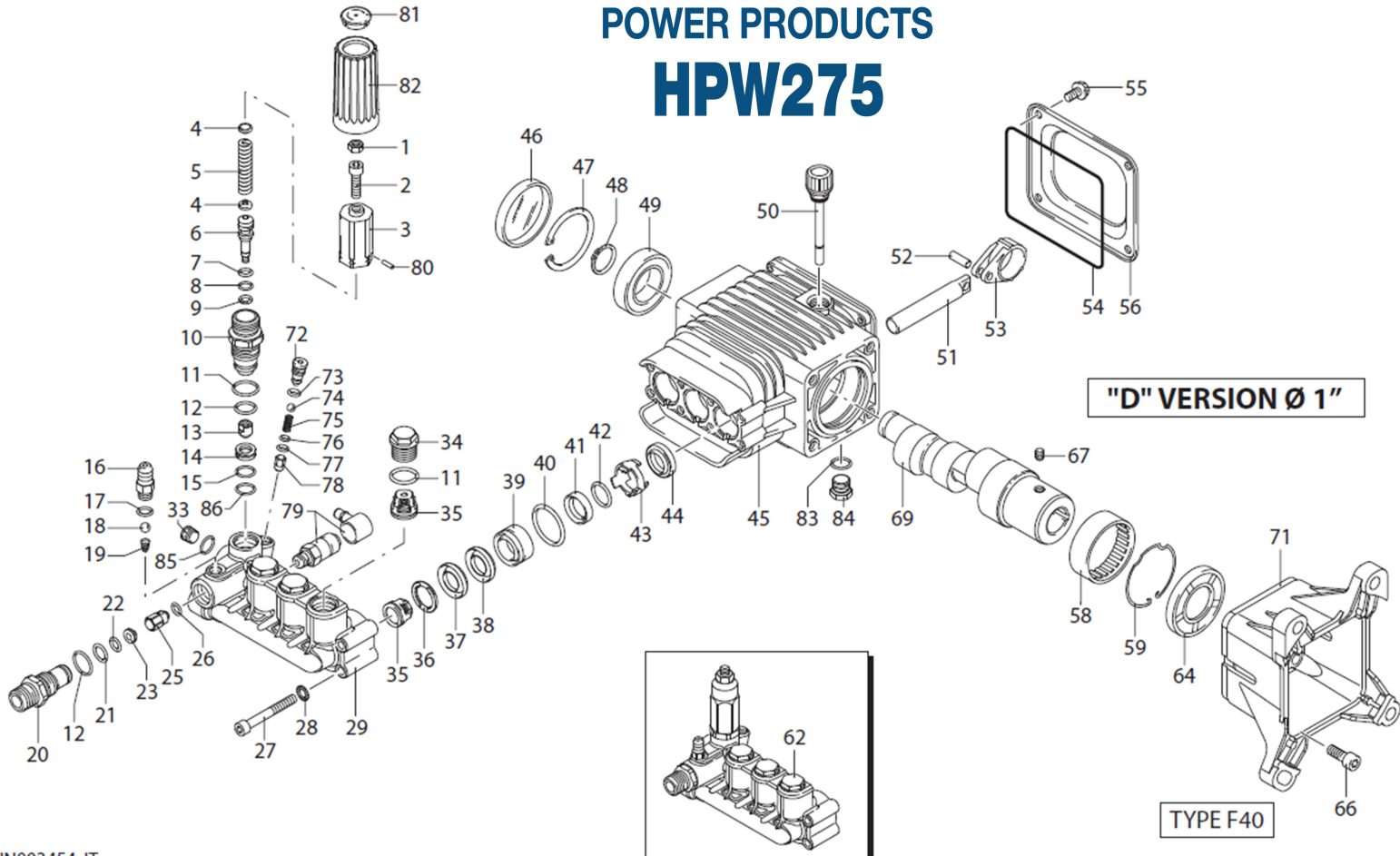


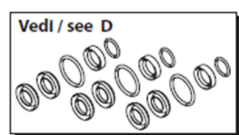
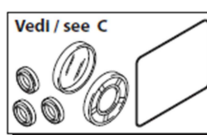
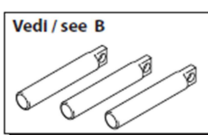
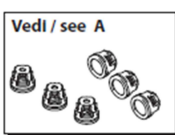
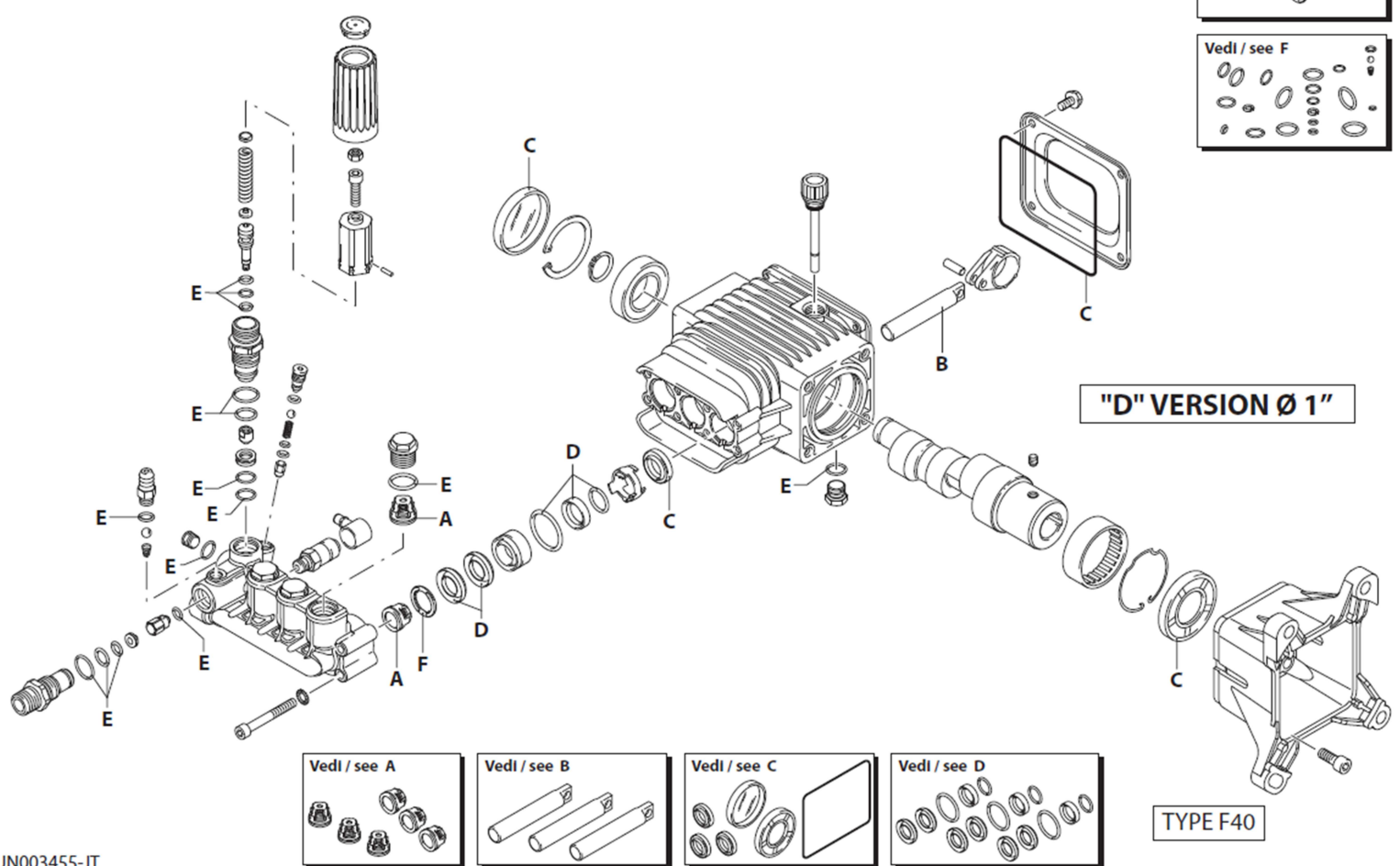
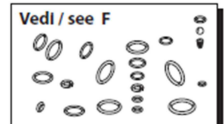
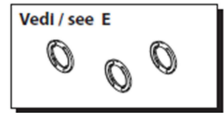
HYUNDAI

POWER PRODUCTS

HPW275



UN003454-IT



TYPE F40

UN003455-JT

HYUNDAI

POWER PRODUCTS

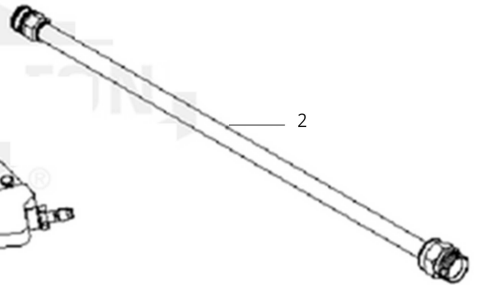
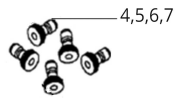
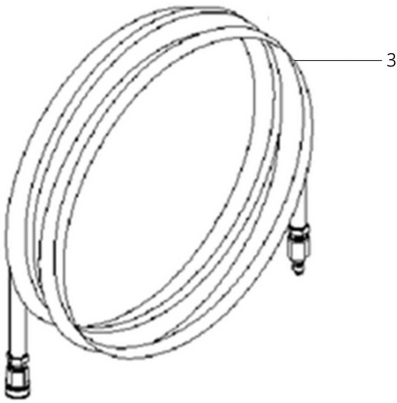
HPW275

Ref	Description	Part number
1	Nut	HP1060120
2	Screw	HP2840970
3	Handle insert	HP1980390
5	Spring	HP2760410
6	Valve Piston	HP2760400
50	Cap	HP880130
62	Pump head pre-ass.	HP2769225
79	Thermin Valve	HP2761380
80	Pin	HP1080070
81	Knob plug	HP1981770
82	Knob	HP1981780
A	Valves Kit	HPKIT 42666
B	Pistons Kit	HPKIT 2187
C	Oil Seals Kit	HPKIT 2188
D	Water Seals Kit	HPKIT 2189
E	O-Rings Kit	HPKIT 2190
F	Support Rings Kit	HPKIT 2191
H	Complete Pump	HPRSV4G40

HYUNDAI

POWER PRODUCTS

HPW275



HYUNDAI

POWER PRODUCTS

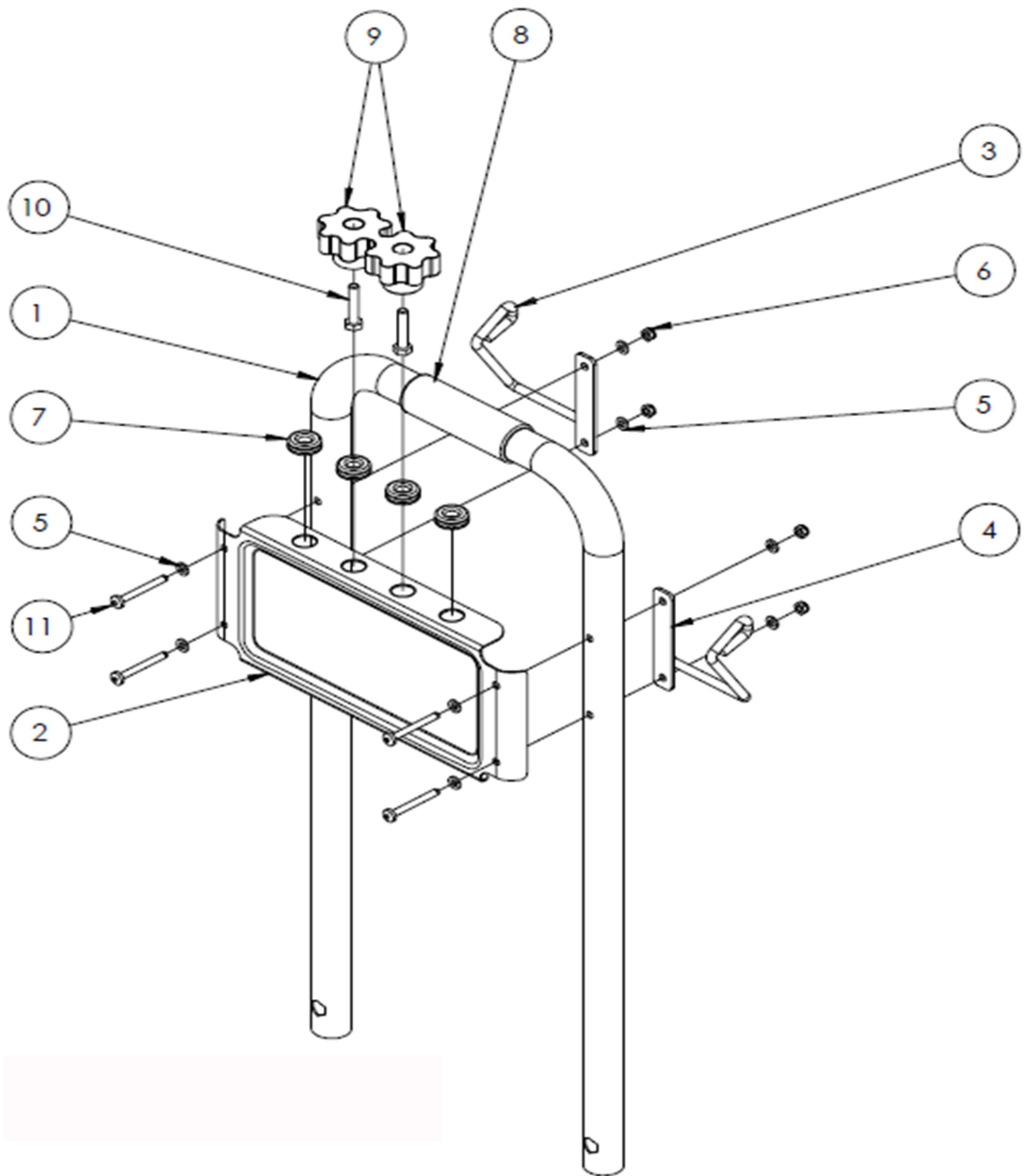
HPW275

Ref	Description	Part number
1	Gun	HPAC7002
2	Wand 36" Split	HP85.202.031
3	Hose	HP85.238.153
4	Nozzle Q/C 0 DEG - 030	HP85.201.040
5	Nozzle Q/C 15 DEG - 030	HP85.216.040
6	Nozzle Q/C 40 DEG - 030	HP85.241.040
7	Nozzle Plastic soap Black	HP85.266.400
8	Plug 3.8" MNPT Steel	HP85.300.105
9	Coupling 1/4" QD Female	HP85.300.102J

HYUNDAI

POWER PRODUCTS

HPW275



HYUNDAI

POWER PRODUCTS

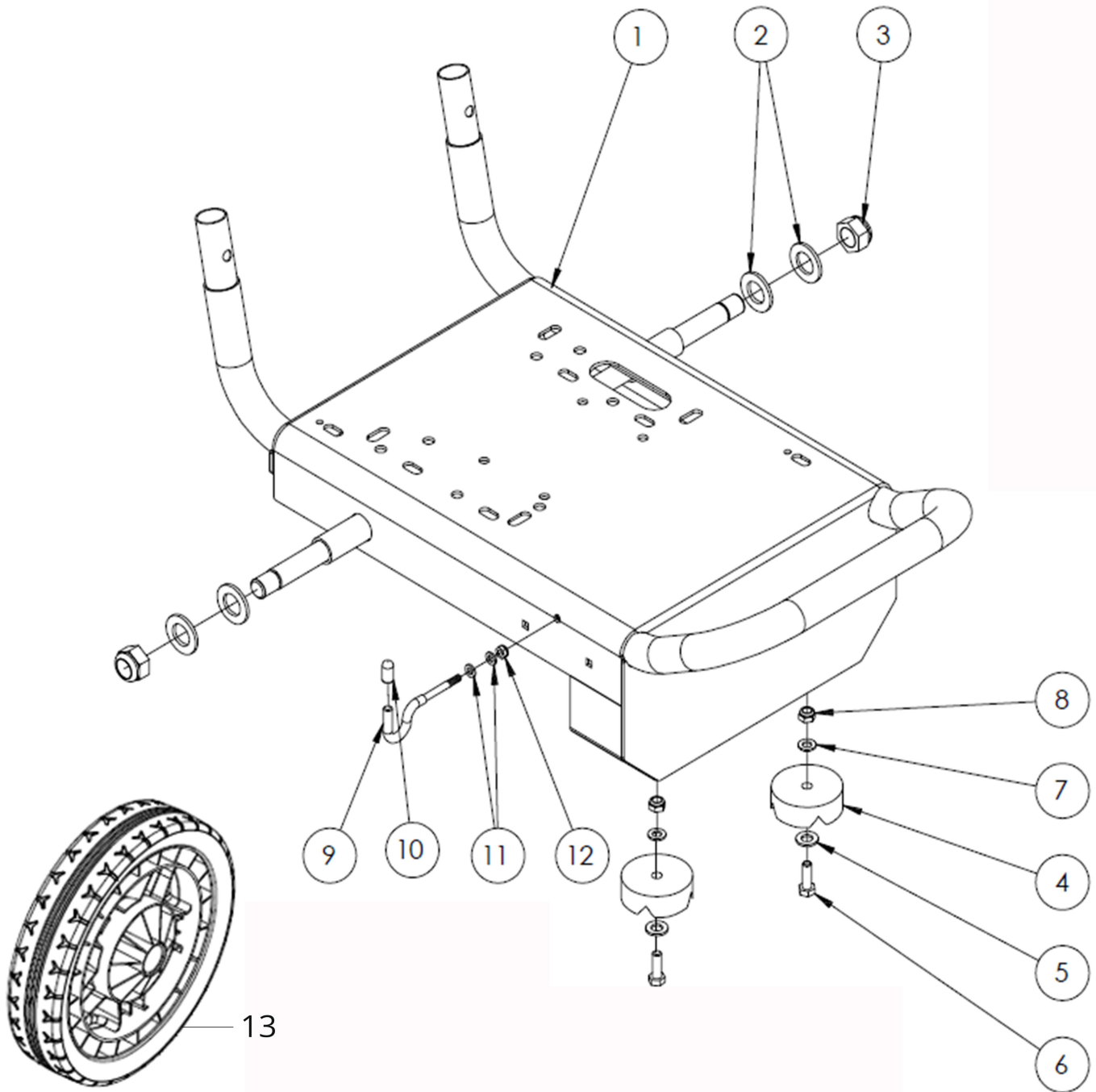
HPW275

Ref	Description	Part number
1	Handle Tubling	HP85.600.125G-02.1
2	Decal Plate Large	HP85.600.125G-02.2
3	Gun Hook Assembly Left	HP85.600.124-02.3L
4	Gun Hook Assembly Right	HP85.600.124-02.3R
5	Washer Flat M6	HP39.006.001
6	Nylock Nut M6-1.0	HP09-006.002
7	Grommet Rubber	HP85.660.008
8	Handle Rubber Grip 32mm Tubing	HP85.660.009
9	Knuckle Nut Plastic 60mm	HP85.601.008
10	Hex Head Bolt M8x1.25	HP01.008.040
11	Machine Screw Button	HP01.006.050.MB.Z

HYUNDAI

POWER PRODUCTS

HPW275



HYUNDAI

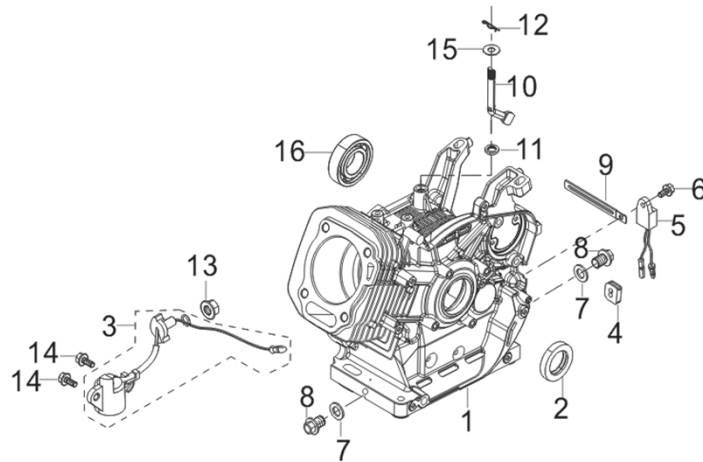
POWER PRODUCTS

HPW275

Ref	Description	Part number
1	Welded Frame Base	HP85.600.125G-01.1
2	Washer Flat M20	HP39.020.001
3	Nylock nut M18-2.5	HP09.018.002
4	Rubber foot	HP85.60.007BT-01
5	Washer Flat M10	HP39.010.001
6	Hex Head Bolt M8x1.25 25mm	HP01.008.025
7	Washer Flat M8	HP85.600.122HE-12
8	Nylock Nut M8-1.25	HP09.008.002
9	Lance Hook	HP85.600.124-01.2
10	Lance Hook Cap	HP85.600.124-01.3
11	Washer Flat M6	HP39.006.001
12	Nylock Nut M6-1.0	HP09.006.002
13	Wheel	HP85.660.050B

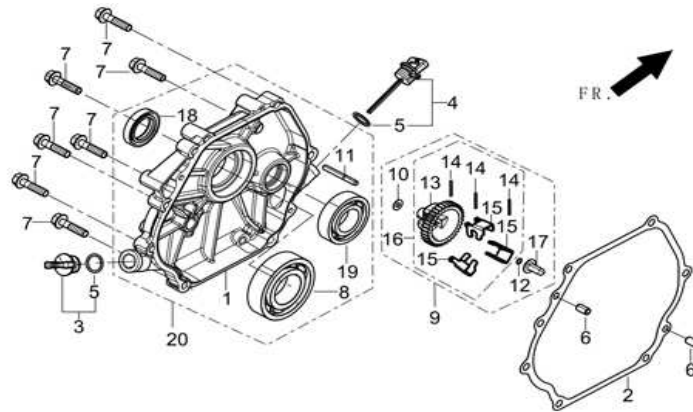
HPW275

FIG.1 CRANKCASE ASSEMBLY (E01)



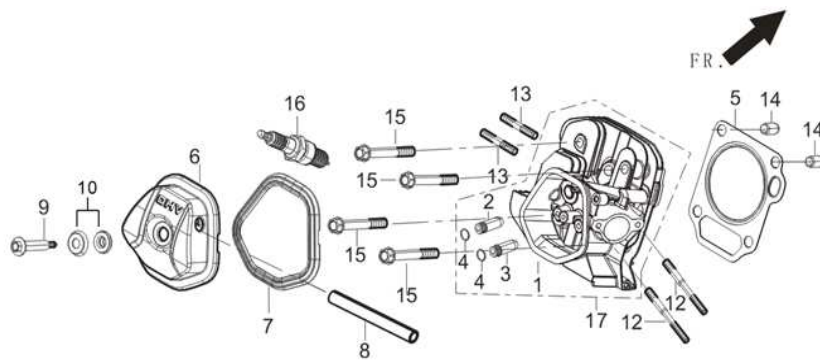
REF.NO.	PART NO	DESCRIPTION	Q'TY
E01-1	11310-Z220910-0BA0	CRANKCASE SUBASSEMBLY.	1
E01-2	90682-Z310110-00A0	SEAL, OIL	1
E01-3	37060-Z080120-00A0	SENSOR, ENGINE OIL	1
E01-4	28101-Z080110-00A0	PLUG, RUBBER	1
E01-5	37050-Z010210-00A0	PROTECTOR, OIL	1
E01-6	90001-0612-01A0	BOLT	1
E01-7	90412-Z080110-00A0	WASHER, FLAT	2
E01-8	11007-Z080110-00A0	BOLT, DRAIN PLUG	2
E01-9	90684-Z030120-00A0	CLIP	1
E01-10	16061-Z100110-00A0	ARM, GOVERNOR	1
E01-11	90682-Z100210-00A0	SEAL, OIL	1
E01-12	90501-Z010110-00A0	PIN	1
E01-13	90305-Z010210-01A0	NUT	1
E01-14	90001-0616-01A0	BOLT	2
E01-15	90412-Z080210-00A0	WASHER, FLAT	1
E01-16	90548-0202-CLA0	BEARIN, DEEP GROOVE BALL	1

FIG.2 CRANKCASE (E02)



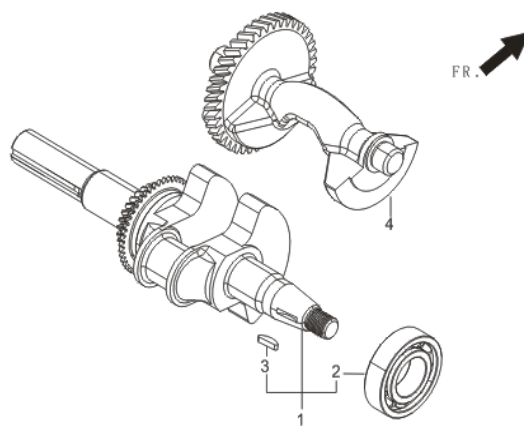
REF.NO.	PART NO	DESCRIPTION	Q'TY
E02-1	11411-Z100510-0BA0	COVER, CRANKCASE	1
E02-2	11001-Z100120-00A0	GASKET, CRANKCASE	1
E02-3	15030-Z080130-Q5A0	PLUG SUBASSEMBLY, ENGINE OIL	1
E02-4	15010-Z080130-Q5A0	DIPSTICK SUBASSEMBLY, OIL	1
E02-6	90502-0812-00A0	PIN	2
E02-7	90001-0840-01A0	BOLT	7
E02-8	90548-0207-CLAO	BEARIN, DEEP GROOVE BALL	1
E02-9	16400-Z100110-00A9	GEAR ASSY, GOVERNOR	1
E02-18	90682-Z310110-00A0	SEAL, OIL	1
E02-19	90548-0202-CLAO	BEARIN, DEEP GROOVE BALL	1

FIG.3 CYLINDER HEAD (E03)



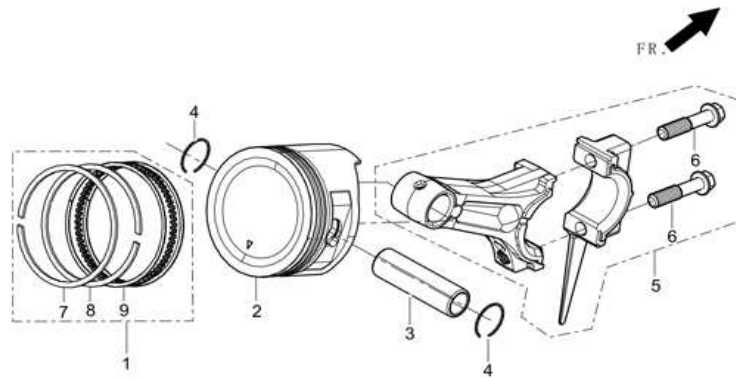
REF.NO.	PART NO	DESCRIPTION	Q'TY
E03-5	12131-Z190410-00A0	GASKET, CYLINDER HEAD	1
E03-6	12410-Z310110-00A0	COVER SUBASSEMBLY, CYLINDER HEA	1
E03-7	12004-Z080110-00A0	GASKET, CYLINDER HEAD COVER	1
E03-8	17004-Z100110-00A0	TUBE, BREATHER	1
E03-9	12032-Z080110-01A0	BOLT, CYLINDER HEAD	1
E03-10	12034-Z080110-00A9	GASKET OF BOLT AND WASHER	1
E03-12	90204-Z100210-01A0	BOLT	2
E03-13	90204-Z100320-01A0	BOLT	2
E03-14	90502-1220-00A0	PIN	2
E03-15	12003-Z080110-00A0	BOLT, CYLINDER HEAD	4
E03-16	30010-Z010110-00A0	PLUG, SPARK	1
E03-17	12140-Z190150-0BA9	HEAD SUBASSEMBLY, CYLINDER	1

FIG.4 CRANKSHAFT (E04)



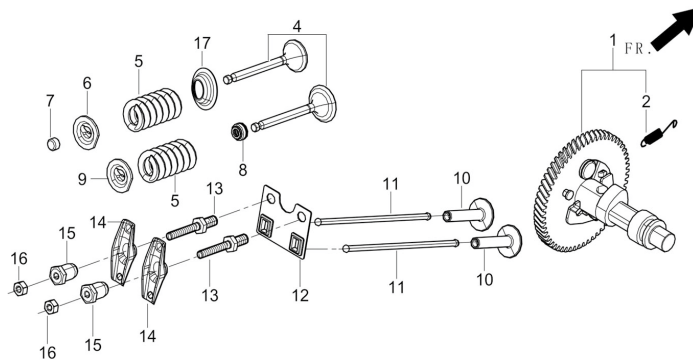
REF.NO.	PART NO	DESCRIPTION	Q'TY
E04-1	13300-Z190630-00A0	CRANKSHAFT ASSY.	1
E04-4	13400-Z190320-00A0	SHAFT ASSY, BALANCING	1

FIG.5 PISTON, RINGS & CONNECTING ROD (E05)



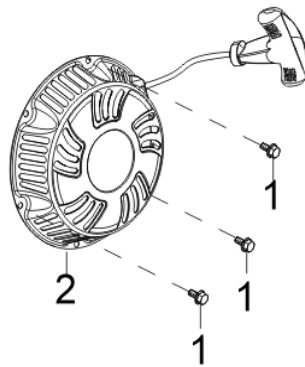
REF.NO.	PART NO	DESCRIPTION	Q'TY
E05-1	13200-Z190210-00A9	RING ASSY, PISTON	1
E05-2	13111-Z190310-00A9	PISTON	1
E05-3	13121-Z100110-00A0	PIN, PISTON	1
E05-4	13122-Z100110-00A0	CLIP, PISTON PIN	2
E05-5	13010-Z190120-00A0	ROD, CONNECTING	1

FIG.6 VALVE TRAIN & CAMSHAFT (E06)



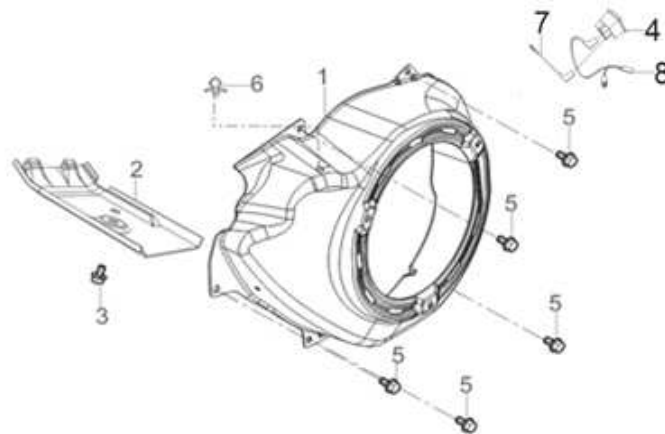
REF.NO.	PART NO	DESCRIPTION	Q'TY
E06-1	14200-Z190620-00A9	CAMSHAFT ASSY.	1
E06-4	12110-Z190110-00A9	VALVES SET	1
E06-5	12103-Z080110-00A0	SPRING, VALVE	2
E06-6	12107-Z080110-00A0	RETAINER, EXHAUST VALVE	2
E06-7	12104-Z080110-00A0	ROTATOR, VALVE	1
E06-8	12101-Z080110-00A0	GUIDE, SEAL	1
E06-9	12112-Z080110-00A0	SEAT, VALVE SPRING	1
E06-10	14081-Z080110-00A0	TAPPET, VALVE	2
E06-11	14070-Z100110-00A0	LIFTER SUBASSEMBLY, VALVE	2
E06-12	14090-Z080110-00A0	PLATE SUBASSEMBLY, LIFTER STOPPER	1
E06-13	14313-Z010110-00A0	BOLT, ROCKER SHAFT	2
E06-14	14311-Z080110-00A0	ROCKER, VALVE	2
E06-15	14314-Z010110-00A0	NUT, VALVE ADJUSTING	2
E06-16	14312-Z010110-00A0	NUT, VALVE LOCK	2
E06-17	12105-Z080110-00A0	RETAINER, VALVE SPRING	1

FIG.7 STARTER,RECOIL (E07)



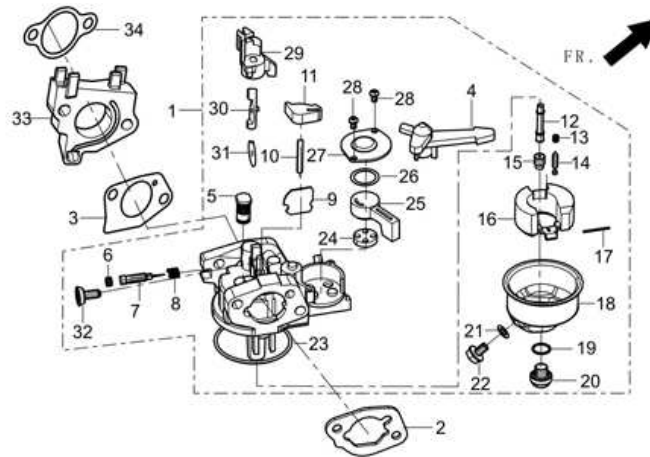
REF.NO.	PART NO	DESCRIPTION	Q'TY
E07-1	90001-0608-01A0	BOLT	3
E07-2	28200-Z101210-H7A0	STARTER ASSY, RECOIL	1

FIG.8 SHROUD (E08)



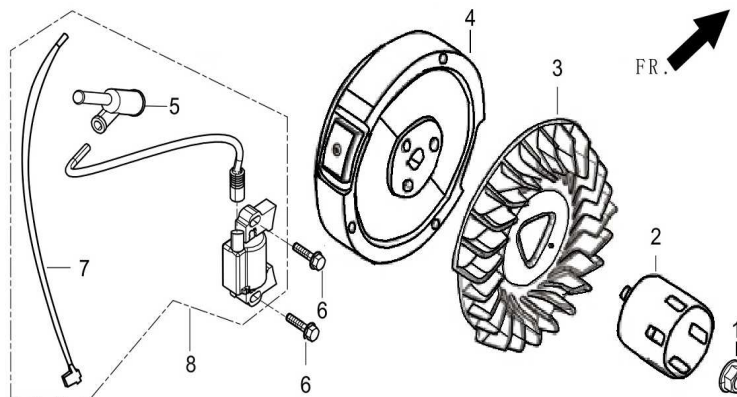
REF.NO.	PART NO	DESCRIPTION	Q'TY
E08-1	28110-Z100120-H7A0	SHROUD	1
E08-2	19304-Z100210-00A0	SHROUD, CYLINDER BODY	1
E08-3	90001-0612-01A0	BOLT	1
E08-4	35540-Z010110-00A0	SWITCH SUBASSEMBLY, STOP ENGINE	1
E08-5	90001-0612-01A0	BOLT	5
E08-6	90684-Z080110-00A0	CLIP	1
E08-7	35555-Z080110-00A0	WIRE, STOP ENGINE SWITCH GROUND	1
E08-8	35541-Z080120-00A0	WIRE, STOP ENGINE	1

FIG.9 CARBURETOR (E09)



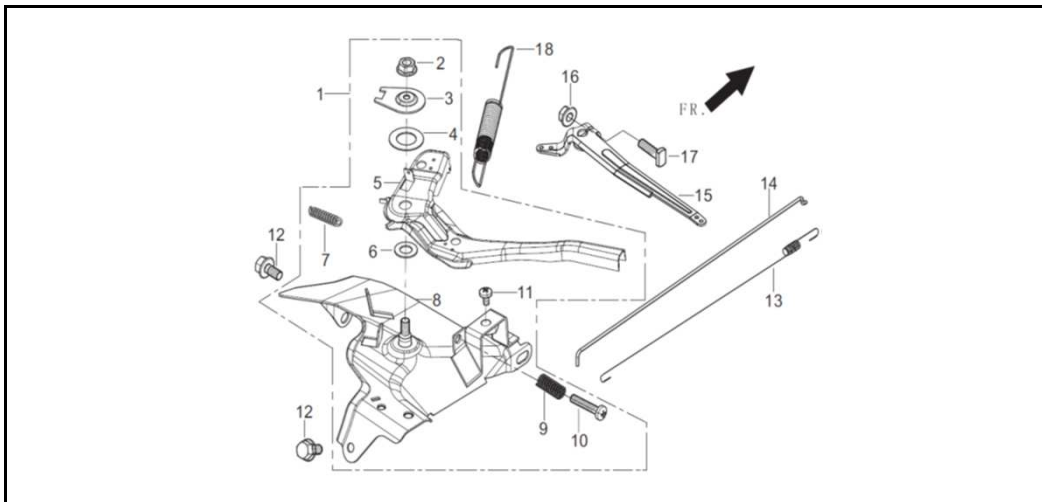
REF.NO.	PART NO	DESCRIPTION	Q'TY
E09-1	16100-Z190810-00A1	CARBURETOR ASSY.	1
E09-2	17001-Z080210-00A0	GASKET, AIR CLEANER	1
E09-3	16001-Z100110-00A0	GASKET, CARBURETOR	1
E09-33	16003-Z100110-00A0	PLATE, CARBURETOR INSULATOR	1
E09-34	17002-Z100110-00A0	GASKET, INLET	1

FIG.10 FLYWHEEL, IGNITION COIL (E10)



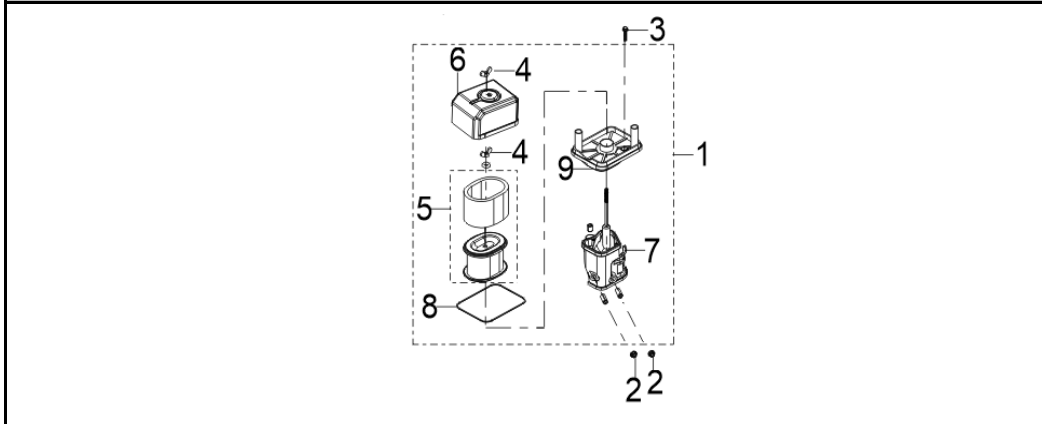
REF.NO.	PART NO	DESCRIPTION	Q'TY
E10-1	13501-Z080110-00A0	NUT, FLYWHEEL	1
E10-2	28002-Z100210-00A0	PULLEY,STARTER	1
E10-3	19352-Z100120-00A0	IMPELLER	1
E10-4	13510-Z220110-00A0	FLYWHEEL SUBASSEMBLY	1
E10-6	90001-0628-01A0	BOLT	2
E10-8	30400-Z190210-00A0	COIL, IGNITION	1

FIG.11 THROTTLE CONTROL ASSEMBLY (E11)



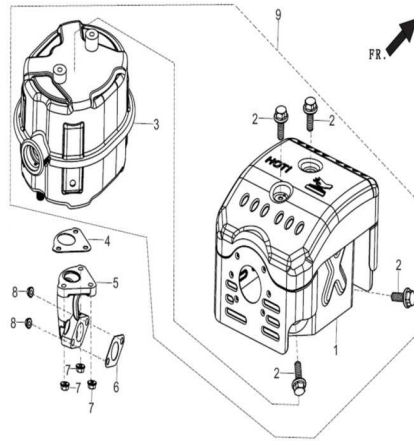
REF.NO.	PART NO	DESCRIPTION	Q'TY
E11-1	16520-Z100320-00A0	CONTROL ASSY, THROTTLE	1
E11-12	90001-0612-01A0	BOLT	2
E11-13	16012-Z080110-00A0	SPRING, THROTTLE VALVE RETURNING	1
E11-14	16062-Z100110-00A0	ROD, GOVERNEOR	1
E11-15	16070-Z100120-00A0	SUPPORT SUBASSEMBLY, GOVERNOR	1
E11-16	90305-0600-31A0	NUT	1
E11-17	16072-Z010110-00A0	BOLT, GOVERNOR SUPPORT	1
E11-18	16063-Z100710-00A0	SPRING, GOVERNOR	1

FIG.12 AIR CLEANER (F01)



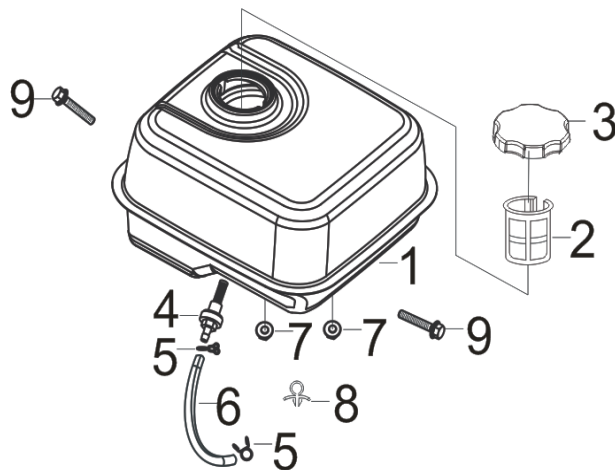
REF.NO.	PART NO	DESCRIPTION	Q'TY
F01-1	17100-Z100110-00A0	CLEANER, AIR	1
F01-2	90305-0600-31A0	NUT	2
F01-3	90007-0620-A1A0	BOLT	1
F01-4	90312-0600-00A0		2
F01-5	17150-Z100110-00A0	ELEMENT SUBASSEMBLY, AIR CLEANER	1
F01-6	17104-Z100120-00A0	COVER, AIR CLEANER CASE	1
F01-7	17140-Z100110-00A0	ELBOW SUBASSEMBLY, AIR CLEANER	1
F01-8	17107-Z010210-00A0	GASKET, AIR CLEANER CASE	1
F01-9	17115-Z100110-00A0	PLATE, ELEMENT SUPPORTING	1

FIG.13 MUFFLER (F02)



REF.NO.	PART NO	DESCRIPTION	Q'TY
F02-4	18101-Z080110-00A0	GASKET, MUFFLER	1
F02-5	18150-Z080210-00A0	PIPE, EXHAUST	1
F02-6	18001-Z190110-00A0	GASKET, EXHAUST OUTLET	1
F02-7	90305-0800-31A0	NUT	3
F02-8	90305-0800-31A0	NUT	2
F02-9	18100-Z100110-00A0	MUFFLER ASSY.	1

FIG.14 FUEL TANK (F03)



REF.NO.	PART NO	DESCRIPTION	Q'TY
F03-1	16620-Z080410-H7AP	TANK, FUEL	1
F03-2	16652-Z010610-00A0	STRAINER, FUEL	1
F03-3	16730-Z010820-QBA0	COVER, FUEL TANK	1
F03-4	16680-Z010110-00A0	OUTLET SUBASSEMBLY, FUEL TANK OI	1
F03-5	90740-Z010210-00A0	COLLAR	2
F03-6	90686-Z080910-00A0	TUBE, FUEL	1
F03-7	90305-0800-31A0	NUT	2
F03-8	90684-Z080110-00A0	CLIP	1
F03-9	90001-0825-01A0	BOLT	2