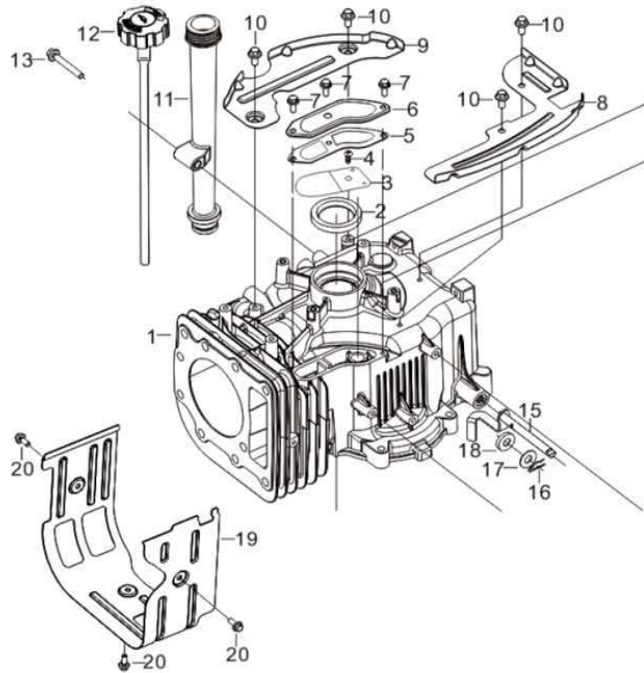


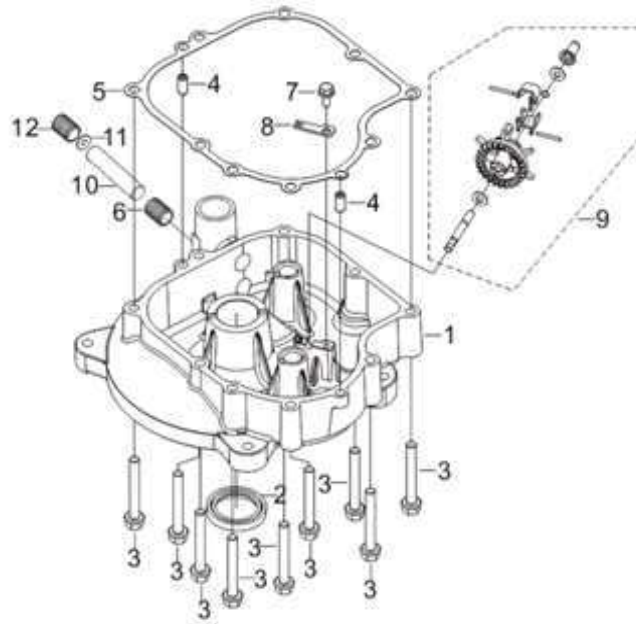
H340VC

FIG.1 CRANKCASE.



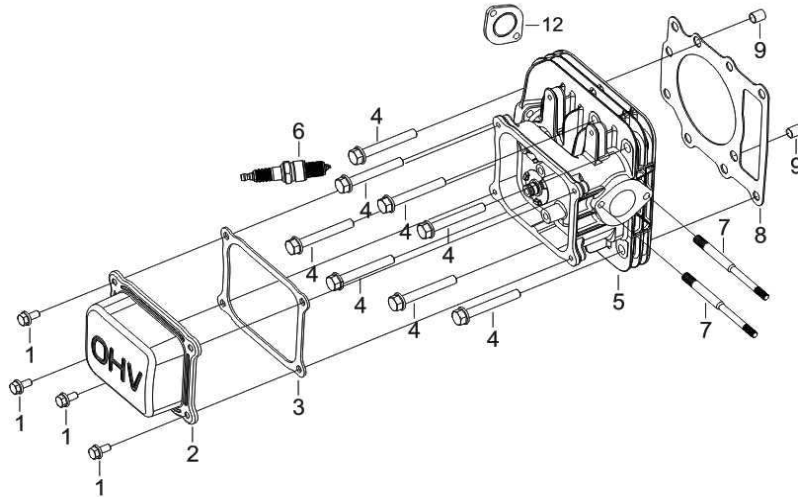
REF.NO.	PART NO	DESCRIPTION	Q'TY
E01-1	11310-Z320211-00A0	CRANKCASE SUBASSEMBLY.	1
E01-2	90682-Z320110-00A0	SEAL, OIL	1
E01-3	11320-Z320210-00A0	STOP ENGINE PIECE SUBASSEMBLY	1
E01-4	90103-0410-51A0	CROSS-RECESSED PAN HEAD SCREW	1
E01-5	11332-Z320310-00A0	GASKET, BREATH GROOVE	1
E01-6	11333-Z320410-00A0	PLATE, BREATH GROOVE COVER	1
E01-7	90001-0516-01A0	BOLT	3
E01-8	19308-Z320120-00A0	BODY LEFT SHIELD	1
E01-9	19309-Z320120-00A0	BODY RIGHT SHIELD	1
E01-10	90001-0612-01A0	HEXAGON SOCKET FLANGE FACE BOLT - SMALL SERIES	4
E01-11	15020-Z320110-Q2A0	TUBE, FUELING	1
E01-12	15010-Z320110-Q5A0	DIPSTICK SUBASSEMBLY, OIL	1
E01-15	16060-Z320110-00A0	GOVERNOR ARM SUBASSEMBLY	1
E01-16	90501-Z010110-00A0	COTTER PIN	1
E01-17	90412-Z080210-00A0	FLAT WASHER - GRADE A	1
E01-18	90682-Z100210-00A0	SEAL, OIL	1
E01-19	19304-Z320110-00A0	SHROUD, CYLINDER BODY	1
E01-20	90001-0512-01A0	HEXAGON SOCKET FLANGE FACE BOLT - SMALL SERIES	3

FIG.2 COVER SUBASSEMBLY, CRANKCASE / GEAR ASSY, GOVERNOR

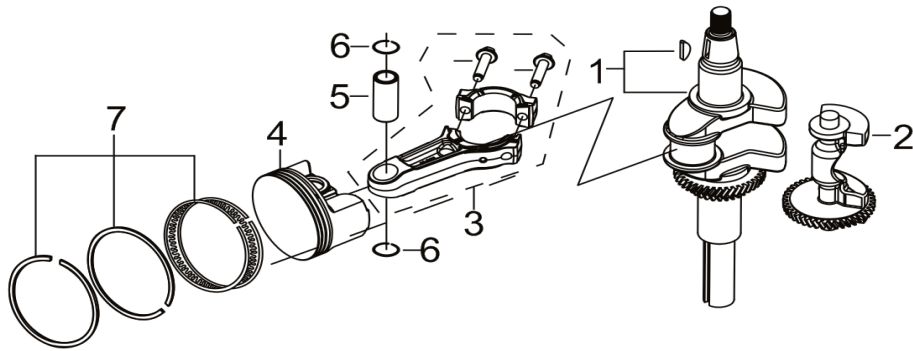


REF.NO.	PART NO	DESCRIPTION	Q'TY
E02-1	11411-Z320210-00A0	COVER, CRANKCASE	1
E02-2	90682-Z320110-00A0	SEAL, OIL	1
E02-3	90001-0860-01A0	HEXAGON SOCKET FLANGE FACE BOLT - SMALL SERIES	9
E02-4	90502-0812-00A0	POSITION PIN - TYPE A	2
E02-5	11001-Z320210-00A0	GASKET, CRANKCASE	1
E02-6	11007-Z320210-00A0	BOLT, DRAIN PLUG	1
E02-7	90001-0612-01A0	HEXAGON SOCKET FLANGE FACE BOLT - SMALL SERIES	1
E02-8	16013-Z320110-00A0	PLATE, GOVERNOR SPINDLE COMPRESSION	1
E02-9	16400-Z320110-00A0	GEAR ASSY, GOVERNOR	1

FIG.3 HEAD SUBASSEMBLY, CYLINDER / PLUG, SPARK

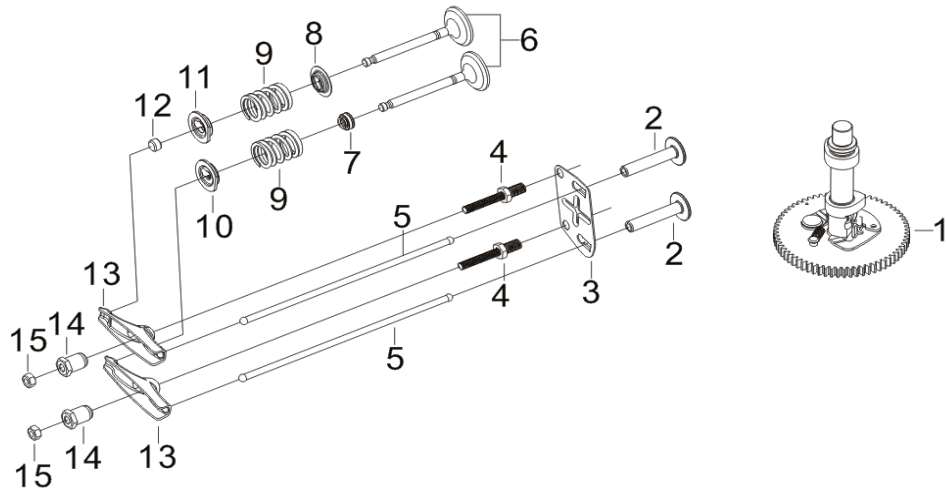


REF.NO.	PART NO	DESCRIPTION	Q'TY
E04-1	90001-0612-01A0	HEXAGON SOCKET FLANGE FACE BOLT - SMALL SERIES	4
E04-2	12410-Z320110-00A0	COVER SUBASSEMBLY, CYLINDER HEAD	1
E04-3	12004-Z320110-00A0	CYLINDER HEAD COVER GASKET	1
E04-4	12003-Z320110-00A0	CYLINDER HEAD BOLT	8
E04-5	12140-Z320410-00A0	HEAD SUBASSEMBLY, CYLINDER	1
E04-6	30010-Z010110-00A0	PLUG, SPARK	1
E04-7	90204-Z100410-00A0	STUD BOLT (BM=2D)	2
E04-8	12130-Z320210-00A0	CYLINDER HEAD GASKET SUBASSEMBLY	1
E04-9	90502-1014-00A0	POSITION PIN - TYPE A	2
E04-12	18001-Z320110-00A0	GASKET, EXHAUST OUTLET	1

FIG.4 ROD,CRANKSHAFT CONNETING

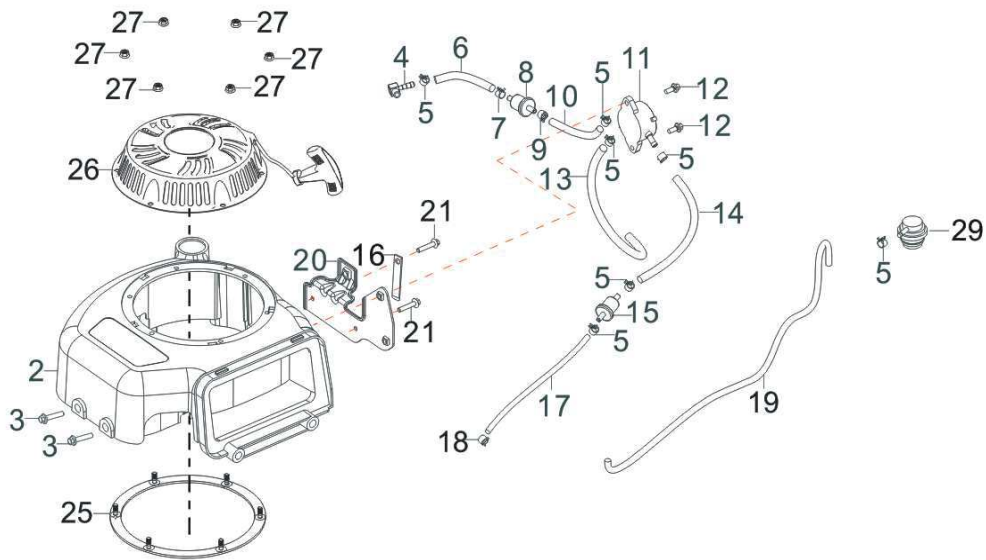
REF.NO.	PART NO	DESCRIPTION	Q'TY
E05-1	13300-Z320110-00A0	CRANKSHAFT ASSY.	1
E05-2	13401-Z320120-00A0	BALANCING SHAFT	1
E05-3	13010-Z320110-00A0	ROD, CONNECTING	1
E05-4	13111-Z320310-00A0	PISTON	1
E05-5	13121-Z320110-00A0	PIN, PISTON	1
E05-6	13122-Z100110-00A0	CLIP, PISTON PIN	2
E05-7	13200-Z100110-00A9	RING ASSY, PISTON	1

FIG.5 TRAIN, VALVE / CAMSHAFT SUBASSEMBLY



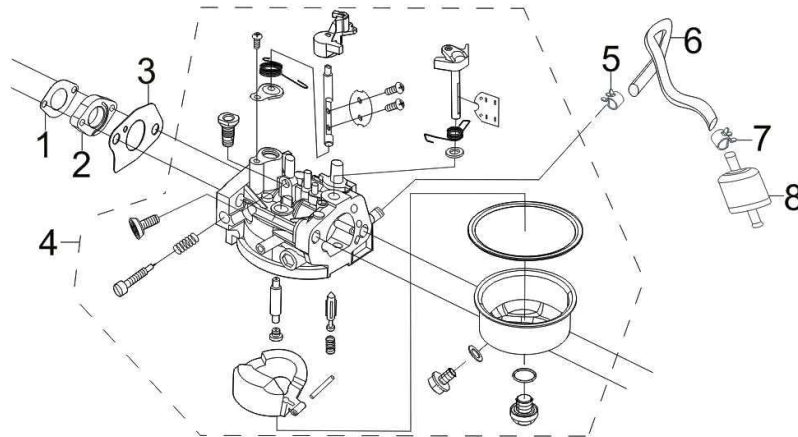
REF.NO.	PART NO	DESCRIPTION	Q'TY
E06-1	14200-Z320410-00A0	CAMSHAFT ASSY.	1
E06-2	14081-Z320110-00A0	TAPPET, VALVE	2
E06-3	14090-Z320110-00A0	PLATE SUBASSEMBLY, LIFTER STOPPER	1
E06-4	14313-Z010110-00A0	ROCKSHAFT BOLT	2
E06-5	14070-Z320120-00A0	LIFTER SUBASSEMBLY, VALVE	2
E06-6	12110-Z320110-00A0	VALVES SET	1
E06-7	12101-Z080110-00A0	GUIDE, SEAL	1
E06-8	12105-Z080110-00A0	RETAINER, VALVE SPRING	1
E06-9	12103-Z080110-00A0	SPRING, VALVE	2
E06-10	12112-Z080110-00A0	SEAT, VALVE SPRING	1
E06-11	12107-Z080110-00A0	RETAINER, EXHAUST VALVE	1
E06-12	12104-Z080110-00A0	ROTATOR, VALVE	1
E06-13	14311-Z320110-00A0	ROCKER, VALVE	2
E06-14	14314-Z010110-00A0	NUT, VALVE ADJUSTING	2
E06-15	14312-Z010110-00A0	NUT, VALVE LOCK	2

FIG.6 OUTER HOUSING



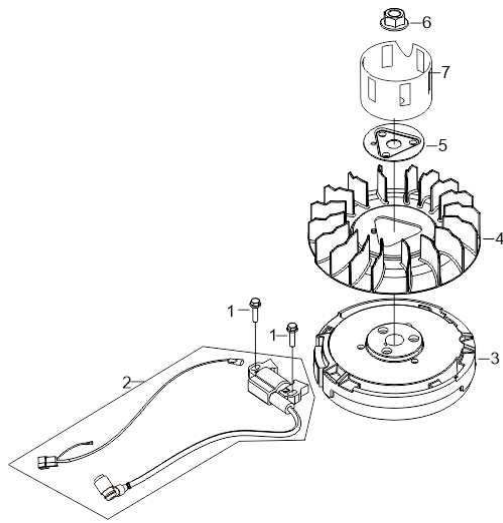
REF.NO.	PART NO	DESCRIPTION	Q'TY
E08-2	28110-Z320210-Q2A0	SHROUD	1
E08-3	90001-0630-01A0	HEXAGON SOCKET FLANGE FACE BOLT - SMALL SERIES	2
E08-4	12502-Z130130-00A0	MOUTH, NEGATIVE PRESSURE	1
E08-5	90685-D095-0EA0	PIPE CLAMP	6
E08-6	11017-Z320410-00A0	NEGATIVE PRESSURE PIPE	1
E08-7	90685-D140-0EA0	PIPE CLAMP	1
E08-8	16030-Z120210-00A0	SEPARATOR, GAS AND OIL	1
E08-9	90685-D130-0EA0	PIPE CLAMP	1
E08-10	11017-Z320310-00A0	NEGATIVE PRESSURE PIPE	1
E08-11	16300-Z130121-00M0	PUMP ASSY, GASOLINE	1
E08-12	90001-0616-01A0	BOLT	2
E08-13	90686-Z320810-00M1	TUBE, FUEL	1
E08-14	90686-Z320710-00M1	TUBE, FUEL	1
E08-15	16510-Z320110-00A0	STRAINER, FUEL	1
E08-16	90684-Z030120-00A0	WIRE CLIP	1
E08-17	90686-Z320310-00M1	TUBE, FUEL	1
E08-18	90685-D075-0EA0	PIPE CLAMP	1
E08-19	90686-Z320610-00A0	TUBE, FUEL	1
E08-20	16613-Z320110-00A0	FUEL TANK INSTALLATION LOWER BRACKET	1
E08-21	90001-0635-01A0	HEXAGON SOCKET FLANGE FACE BOLT - SMALL SERIES	2
E08-25	28260-Z320110-00A0	MANUAL STARTING PLATE SHIELD ASSEMBLY	1
E08-26	28200-Z320110-H7A0	STARTER ASSY, RECOIL	1
E08-27	90305-0600-31A0	HEXAGON NUT WITH FLANGE	6
E08-29	15150-Z320110-00A0	VALVE, ONE WAY	1

Fig 7: Carburetor Parts



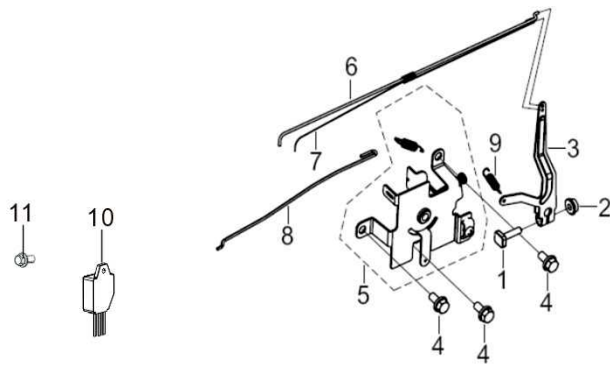
REF.NO.	PART NO碼	DESCRIPTION	Q'TY
E09-1	17002-Z320110-00A0	GASKET, INLET	1
E09-2	16003-Z320110-00A0	PLATE, CARBURETOR INSULATOR	1
E09-3	16001-Z100110-00A0	CARBURETOR SEAL GASKET	1
E09-4	16100-Z320510-00A9	CARBURETOR ASSY.	1
E09-5	90685-D075-0EA0	PIPE CLAMP	1
E09-6	90686-Z320310-00M1	TUBE, FUEL	1
E09-7	90685-D095-0EA0	PIPE CLAMP	1
E09-8	16510-Z320110-00A0	STRAINER, FUEL	1


FIG.8 FLYWHEEL / IMPELLER / STARTER PULLEY / IGNITION COIL



REF.NO.	PART NO	DESCRIPTION	Q'TY
E10-1	90001-0628-01A0	HEXAGON SOCKET FLANGE FACE BOLT - SMALL SERIES	2
E10-2	30400-Z320310-00A0	COIL, IGNITION	1
E10-3	13510-Z320710-00A0	FLYWHEEL SUBASSEMBLY	1
E10-4	19352-Z320120-00A0	IMPELLER	1
E10-5	19356-Z320110-00A0	IMPELLER GASKET	1
E10-6	13501-Z080111-00A0	NUT, FLYWHEEL	1
E10-7	28002-Z080310-00A0	PULLEY,STARTER	1

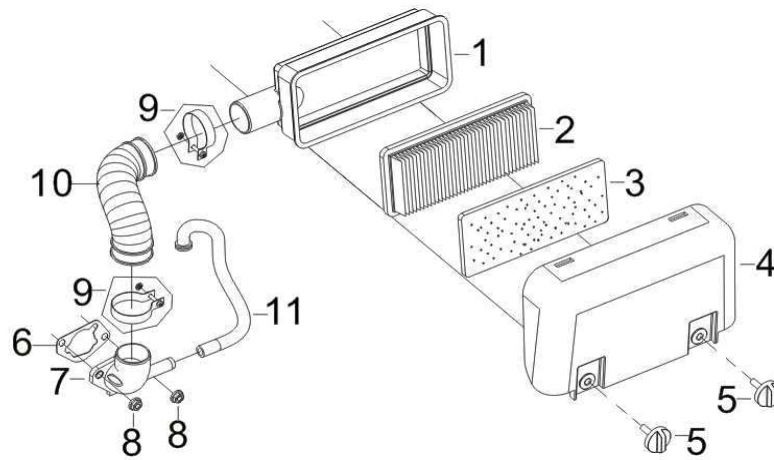
FIG.9 CONTROL ASSY, THROTTLE



FR. 

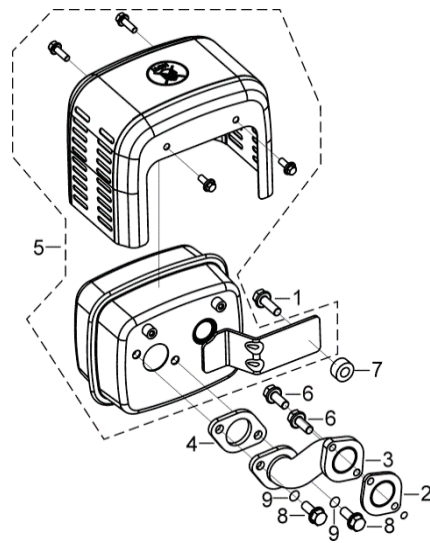
REF.NO.	PART NO	DESCRIPTION	Q'TY
E11-1	16072-Z010110-00A0	BOLT, GOVERNOR SUPPORT	1
E11-2	90305-0600-31A0	HEXAGON NUT WITH FLANGE	1
E11-3	16070-Z320120-00A0	GOVERNOR BRACKET SUBASSEMBLY	1
E11-4	90001-0612-01A0	HEXAGON SOCKET FLANGE FACE BOLT - SMALL SERIES	3
E11-5	16520-Z320310-00A0	CONTROL ASSY, THROTTLE	1
E11-6	16062-Z320110-00A0	ROD, GOVERNEOR	1
E11-7	16012-Z320120-00A0	SPRING, THROTTLE VALVE RETURNING	1
E11-8	16123-Z320110-00A0	CHOKE PULL ROD	1
E11-9	16063-Z320210-00A0	SPRING, GOVERNOR	1
E11-10	30600-Z320410-00A0	RECTIFIER	1
E11-11	90001-0640-01A0	HEXAGON SOCKET FLANGE FACE BOLT - SMALL SERIES	1

FIG.10 CLEANER, AIR



REF.NO.	PART NO	DESCRIPTION	Q'TY
F01-1	17101-Z320110-00A0	AIR CLEANER CASE	1
F01-2	17150-Z320110-00A0	AIR CLEANER ELEMENT ASSEMBLY	1
F01-3	17151-Z320110-00A0	ELEMENT, AIR CLEANER	1
F01-4	17104-Z320110-Q2A0	COVER, AIR CLEANER CASE	1
F01-5	17113HZ320210-00A0	BOLT, AIR CLEANER CONNECTING	2
F01-6	17001-Z080210-00A0	AIR CLEANER SEAL GASKET	1
F01-7	17109HZ320210-00A0	DUCT, AIR CLEANER INTAKE	1
F01-8	90305-0600-31A0	HEXAGON NUT WITH FLANGE	2
F01-9	90740-Z320210-00A0	COLLAR	2
F01-10	17112-Z320110-00A0	TUBE, AIR CLEANER CONNECTING	1
F01-11	17004-Z320130-00A0	TUBE, BREATHER	1

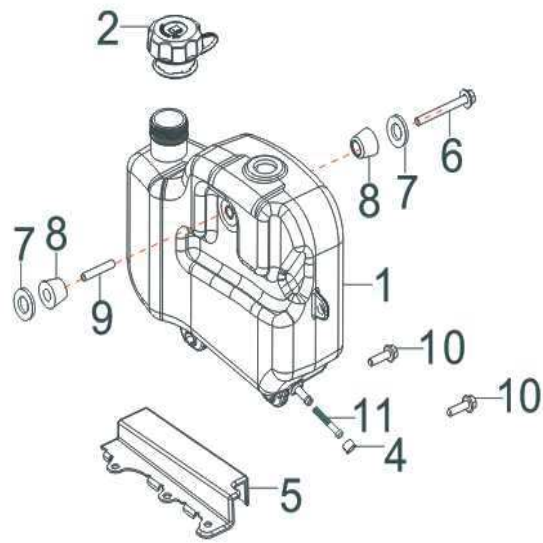
FIG.11 MUFFLER



FR. 

REF.NO.	PART NO	DESCRIPTION	Q'TY
F02-1	90001-0825-01A0	HEXAGON SOCKET FLANGE FACE BOLT - SMALL SERIES	1
F02-2	18001-Z320110-00A0	GASKET, EXHAUST OUTLET	1
F02-3	18150-Z320120-00A0	PIPE, EXHAUST	1
F02-4	18001-Z190110-00A0	GASKET, EXHAUST OUTLET	1
F02-5	18100-Z320510-00A0	MUFFLER ASSY.	1
F02-6	90102-0820-01A0	HEXAGON SOCKET HEAD CAP SCREW	2
F02-7	90683-Z320610-00A0	BUSH	1
F02-8	90102-0835-01A0	HEXAGON SOCKET HEAD CAP SCREW	2
F02-9	90403-0800-Z1A0	STANDARD SPRING WASHER	2

FIG.12 TANK, FUEL



REF.NO.	PART NO	DESCRIPTION	Q'TY
F03-1	16620-Z320210-Q2M0	FUEL TANK	1
F03-2	16730-Z320210-00A0	COVER, FUEL TANK	1
F03-4	90685-D105-0EA0	PIPE CLAMP	1
F03-5	16612-Z320110-00A0		1
F03-6	90001-0875-01A0	BOLT	1
F03-7	90412-U040110-00A0	FLAT WASHER	2
F03-8	16602-Z320110-00A0	GASKET, FUEL TANK RUBBER	2
F03-9	90683-Z320710-00A0	BUSH	1
F03-10	90001-0825-01A0	BOLT	2
F03-11	16652-Z030110-00A0	STRAINER, FUEL	1