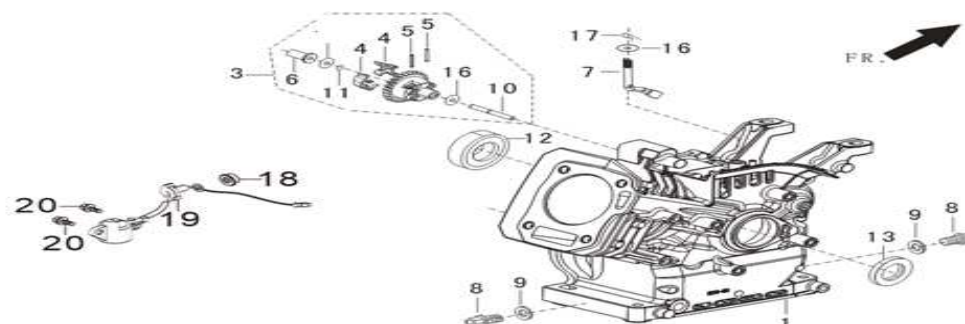


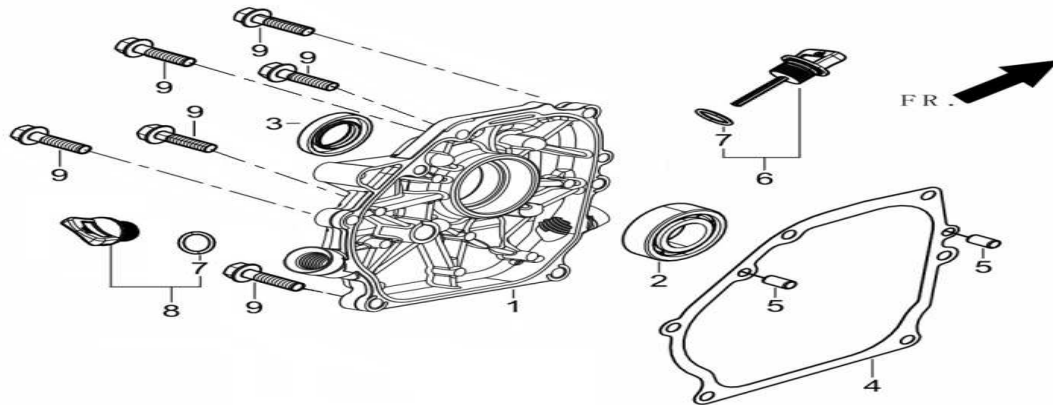
H212R GASOLINE ENGINE

FIG. 1 CRANKCASE. / GEAR ASSY, GOVERNOR (E01)



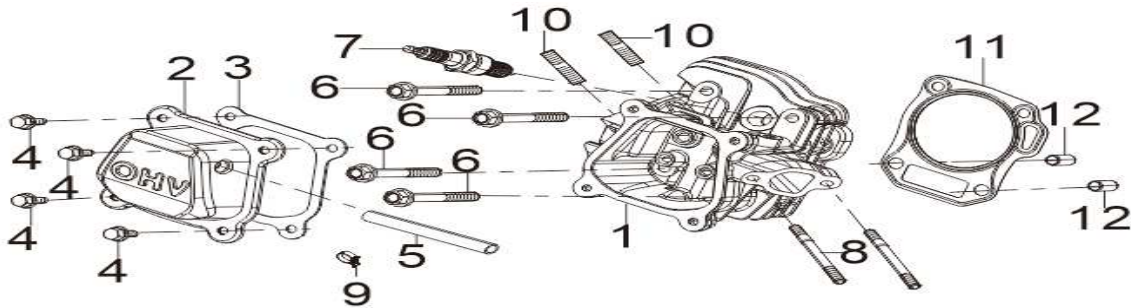
REF. NO.	PART NO	DESCRIPTION	Q' TY
E01-1	11310-Z530420-00A9	Crankcase Subassembly.	1
E01-3	16400-Z010110-00A0	Gear Assy, Governor	1
E01-7	16061-Z010110-00A0	Arm, Governor	1
E01-8	11007-Z010110-00A0	Bolt, Drain Plug	2
E01-9	90408-Z010110-00A0	Washer, Flat	2
E01-12	90548-0205-CLA0	Deep Groove Ball Bearing	1
E01-13	90682-Z300110-00A0	Seal, Oil	1
E01-16	90408-Z010210-00A0	Washer, Flat	1
E01-17	90501-Z010110-00A0	Cotter Pin	1
E01-18	90305-Z010210-01A0	Hexagon Nut With Flange	1
E01-19	37060-Z010120-0000	Sensor, Engine Oil	1
E01-20	90001-0614-01A0	Hexagon Socket Flange Face Bolt - Small Series	2

FIG. 2 COVER SUBASSEMBLY, CRANKCASE (E02)



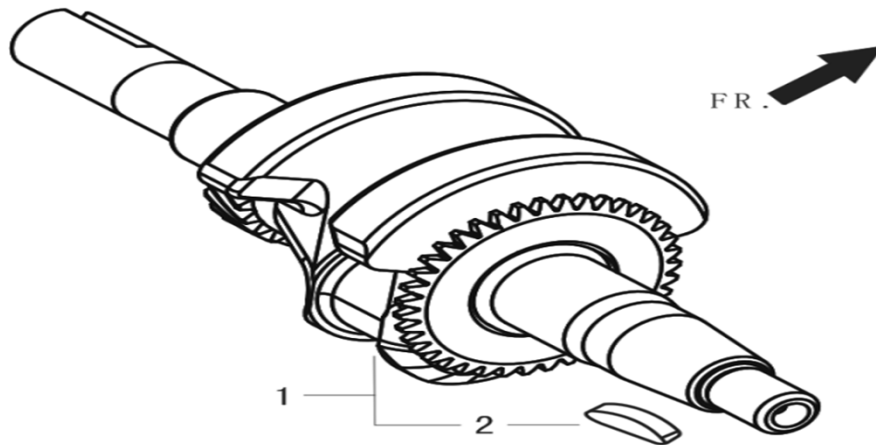
REF. NO.	PART NO	DESCRIPTION	Q' TY
E02-1	11411-Z440410-00A0	Cover, Crankcase	1
E02-2	90548-0205-CLA0	Deep Groove Ball Bearing	1
E02-3	90682-Z300110-00A0	Seal, Oil	1
E02-4	11001-Z440110-00A0	Gasket, Crankcase	1
E02-5	90502-0912-00A0	Position Pin - Type A	2
E02-6	15010-Z010130-Q5A0	Dipstick Subassembly, Oil	1
E02-8	15030-Z010130-Q5A0	Plug Subassembly, Engine Oil	1
E02-9	90001-0832-01A0	Hexagon Socket Flange Face Bolt - Small Series	6

FIG. 3 HEAD SUBASSEMBLY, CYLINDER / PLUG, SPARK (E03)



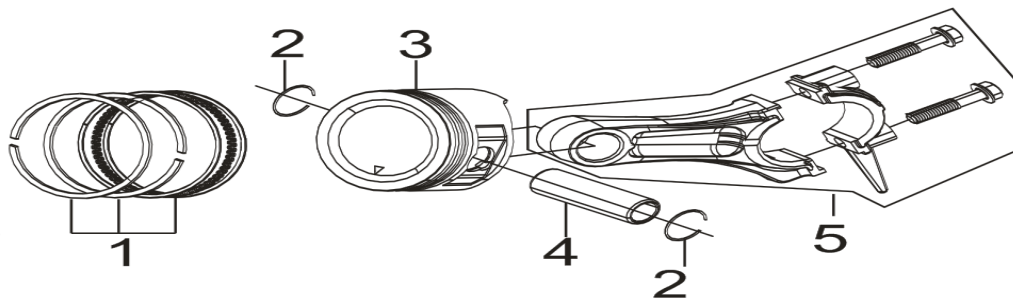
REF. NO.	PART NO	DESCRIPTION	Q' TY
E03-1	12140-Z810410-00A0	Head Subassembly, Cylinder	1
E03-2	12410-Z010410-00A0	Cover Subassembly, Cylinder Head	1
E03-3	12004-Z010210-00A0	Cylinder Head Cover Gasket	1
E03-4	90001-0612-01A0	Hexagon Socket Flange Face Bolt - Small Series	4
E03-5	17004-Z0M0110-00A0	Tube, Breather	1
E03-6	12003-Z010110-00A0	Cylinder Head Bolt	4
E03-7	30010-Z010210-00A0	Plug, Spark	1
E03-8	90204-Z010310-01A0	Stud Bolt	2
E03-9	90740-Z450110-00A0	Collar	1
E03-10	90203-Z010110-01A0	Stud Bolt	2
E03-11	12131-Z950110-00A0	Gasket, Cylinder Head	1
E03-12	90502-1114-00A0	Position Pin - Type A	2

FIG. 4 ROD, CRANKSHAFT CONNETING (E04)



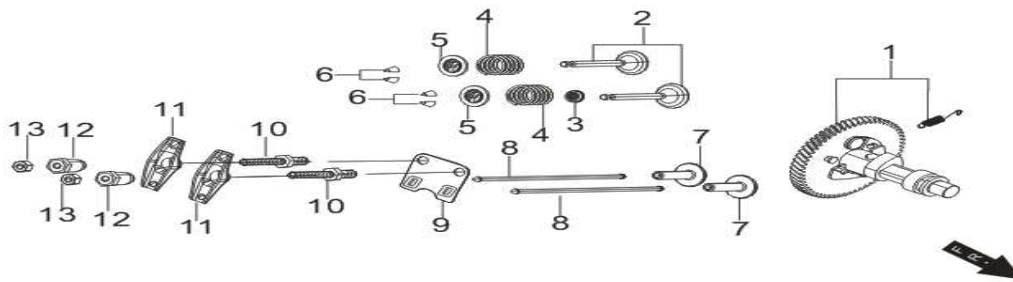
REF. NO.	PART NO	DESCRIPTION	Q' TY
E04-1	13300-Z533210-00A1	Crankshaft Assy.	1

FIG. 5 RING SET, OIL / ROD, CRANKSHAFT CONNETING (E05)



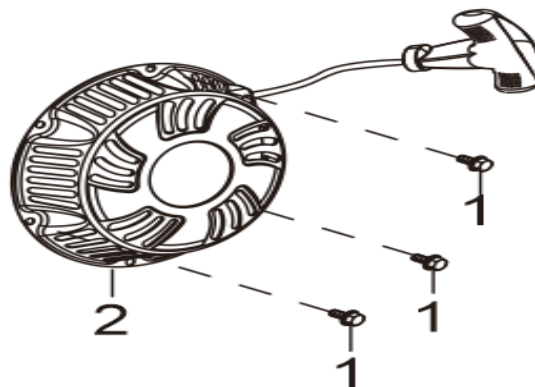
REF. NO.	PART NO	DESCRIPTION	Q' TY
E05-1	13200-Z1D0110-0000	Ring Assy, Piston	1
E05-2	13122-Z010110-00A0	Clip, Piston Pin	2
E05-3	13111-Z140220-00A9	Piston	1
E05-4	13121-Z010110-00A0	Pin, Piston	1
E05-5	13010-Z440210-00A9	Rod, Connecting	1

FIG. 6 TRAIN, VALVE / CAMSHAFT SUBASSEMBLY (E06)



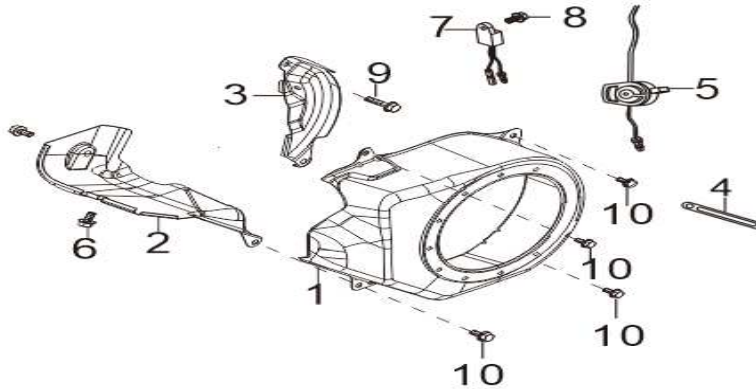
REF. NO.	PART NO	DESCRIPTION	Q' TY
E06-1	14200-Z530110-00A9	Camshaft Assy.	1
E06-2	12110-Z810120-00A9	Valves Set	1
E06-3	12101-Z810210-00A0	Guide, Seal	1
E06-4	12103-Z030110-00A0	Spring, Valve	2
E06-5	12112-Z810210-00A0	Seat, Valve Spring	2
E06-6	12109-Z810110-00A0	Clamp, Valve Lock	4
E06-7	14081-Z040110-00A0	Tappet, Valve	2
E06-8	14071-Z440110-00A0	Lifter, Valve	2
E06-9	14090-Z010110-00A0	Plate Subassembly, Lifter Stopper	1
E06-10	14313-Z010110-00A0	Rockshaft Bolt	2
E06-11	14311-Z010110-00A0	Rocker, Valve	2
E06-12	14314-Z010110-00A0	Nut, Valve Adjusting	2
E06-13	14312-Z010110-00A0	Nut, Valve Lock	2

FIG. 7 STARTER, RECOIL (E07)



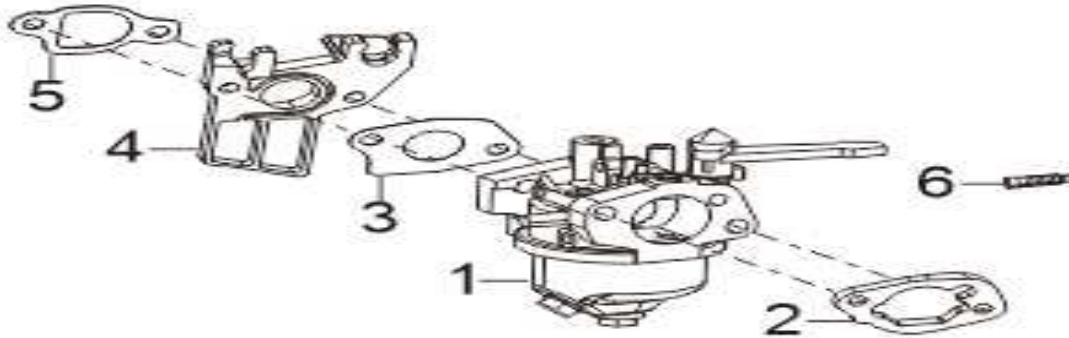
REF. NO.	PART NO	DESCRIPTION	Q' TY
E07-1	90001-0608-01	Bolt	3
E07-2	28200-Z440110-H700	Starter Assy, Recoil	1

FIG. 8 SHROUD / SHIELD, LOWER (E08)



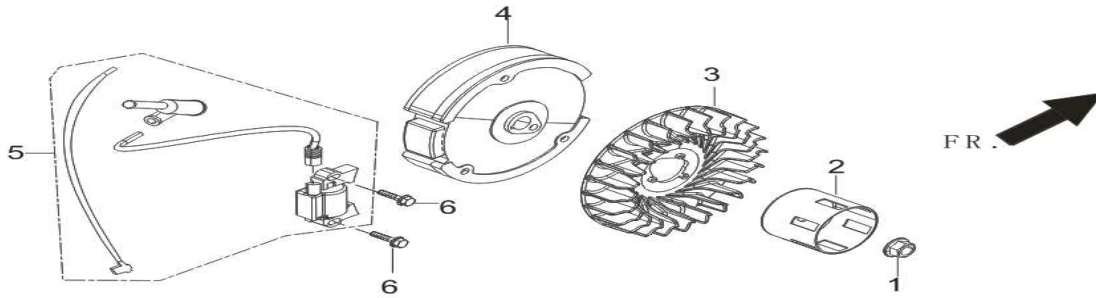
REF. NO.	PART NO	DESCRIPTION	Q' TY
E08-1	28110-Z010410-H700	Shroud	1
E08-2	19304-Z010711-00A0	Shroud, Cylinder Body	1
E08-3	19340-Z011012-0000	Shield, Lower	1
E08-4	90684-Z010510-00A0	Wire Clip	1
E08-5	35540-Z950110-QG00	Switch Subassembly, Stop Engine	1
E08-6	90001-0610-01A0	Bolt	2
E08-7	37050-Z010210-0000	Protector, Oil	1
E08-8	90001-0612-01A0	Hexagon Socket Flange Face Bolt - Small Series	1
E08-9	90001-0620-01A0	Bolt	1
E08-10	90001-0612-01A0	Bolt	4

FIG. 9 CARBURETOR ASSY. (E09)



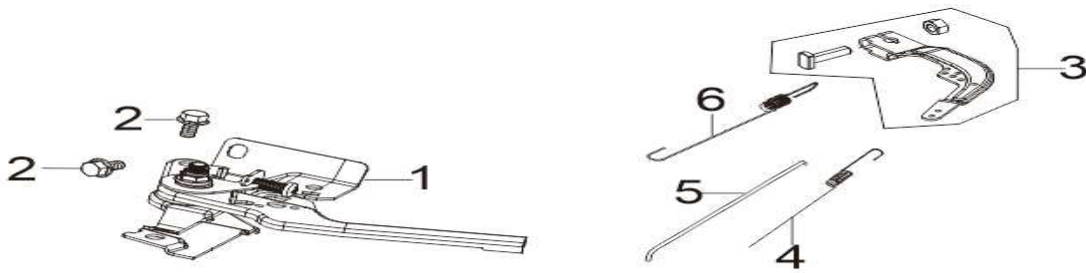
REF. NO.	PART NO	DESCRIPTION	Q' TY
E09-1	16100-Z143210-00A0	Carburetor Assy.	1
E09-2	17001-Z010210-00A0	Air Cleaner Seal Gasket	1
E09-3	16001-Z010110-00A0	Carburetor Seal Gasket	1
E09-4	16003-Z010110-0001	Plate, Carburetor Insulator	1
E09-5	16002-Z010110-00A0	Gasket, Carburetor Insulator	1
E09-6	16652-Z800110-00A0	Strainer, Fuel	1

FIG. 10 FLYWHEEL / IMPELLER / STARTER PULLEY / IGNITION COIL (E10)



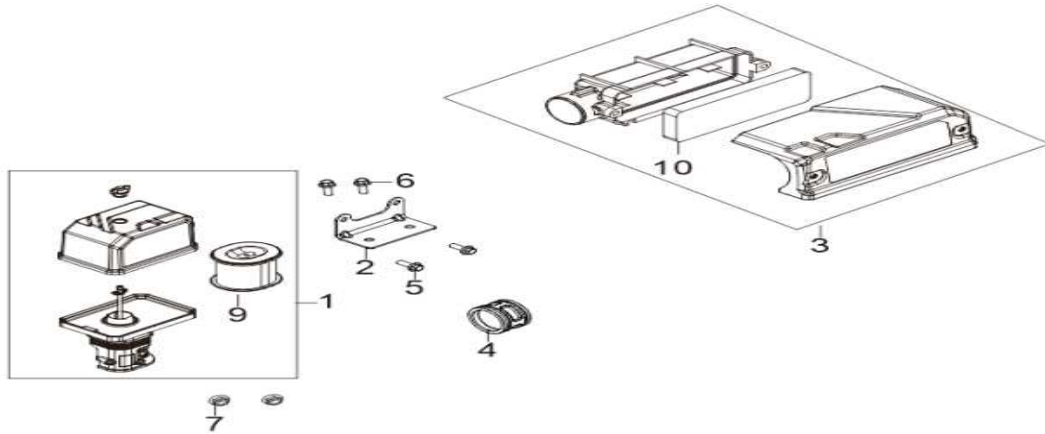
REF. NO.	PART NO	DESCRIPTION	Q' TY
E10-1	13501-Z010110-00A0	Nut, Flywheel	1
E10-2	28002-Z010310-0000	Pulley, Starter	1
E10-3	19352-Z440110-00A0	Impeller	1
E10-4	13510-Z440410-00A0	Flywheel Subassembly	1
E10-5	30400-Z540211-0000	Coil, Ignition	1
E10-6	90001-0625-01A0	Bolt	2

FIG. 11 CONTROL ASSY, THROTTLE (E11)



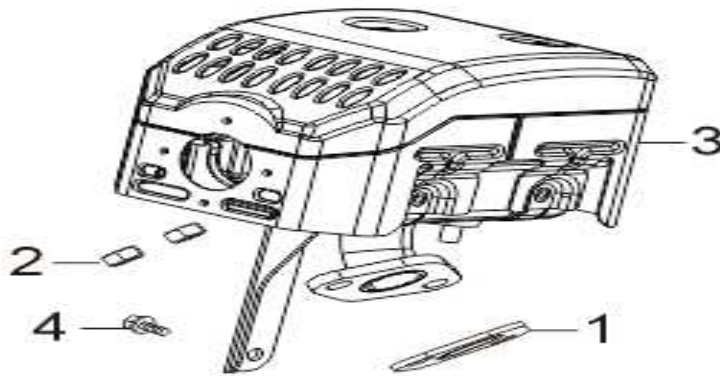
REF. NO.	PART NO	DESCRIPTION	Q' TY
E11-1	16520-Z530111-01A1	Control Assy, Throttle	1
E11-2	90001-0610-01A0	Bolt	2
E11-3	1607A-Z012410-0000	Governing Bracket Subassembly Assembly	1
E11-4	16012-Z010110-00A0	Spring, Throttle Valve Returning	1
E11-5	16062-Z010110-0001	Rod, Governor	1
E11-6	16063-Z050410-00A0	Spring, Governor	1

FIG. 12 CLEANER, AIR (F01)



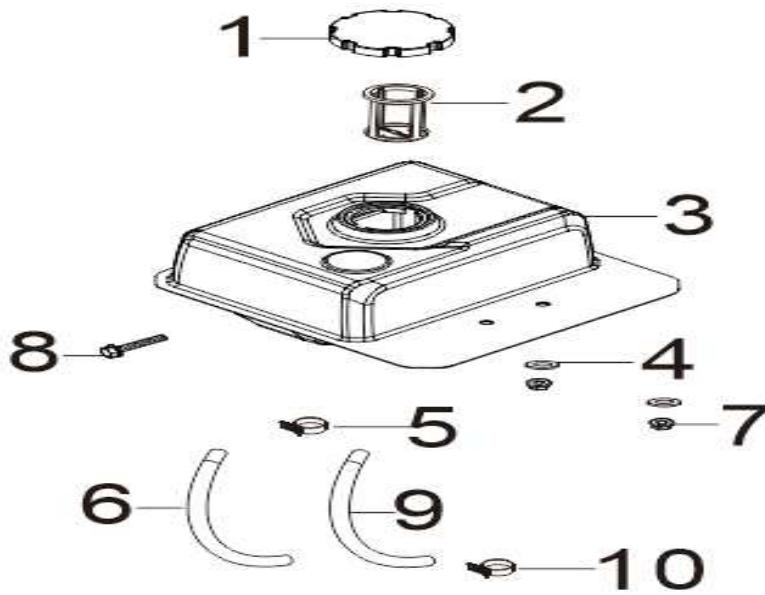
REF. NO.	PART NO	DESCRIPTION	Q' TY
F01-1	17100-Z012410-00A1	Air Cleaner	1
F01-2	17106-Z530110-01A1	Plate, Air Cleaner Connecting	1
F01-3	17400-Z010110-00A1	Secondary Air Filter	1
F01-4	17112-Z010110-00A1	Tube, Air Cleaner Connecting	1
F01-5	90001-0612-01A0	Hexagon Socket Flange Face Bolt - Small Series	2
F01-6	90001-0614-01A0	Hexagon Socket Flange Face Bolt - Small Series	2
F01-7	90305-0600-31A0	Hexagon Nut With Flange	2
F01-9	17150-Z010110-00A0	Air Cleaner Element Assembly	1
F01-10	17150-Z010610-00A0	Air Cleaner Element Assembly	1

FIG. 13 MUFFLER ASSY. (F02)



REF. NO.	PART NO	DESCRIPTION	Q' TY
F02-1	18001-Z010110-00A0	Gasket, Exhaust Outlet	1
F02-2	90332-ZCE0110-09A0	Lock Nut	2
F02-3	18100-Z140810-00A0	Muffler Assy.	1
F02-4	90001-0614-01A0	Hexagon Socket Flange Face Bolt - Small Series	1

FIG. 14 TANK ASSY, FUEL (F03)



REF. NO.	PART NO	DESCRIPTION	Q' TY
F03-1	16730-Z011010-H7A0	Cover, Fuel Tank	1
F03-2	16652-Z010910-00A0	Strainer, Fuel	1
F03-3	16620HZ440910-H700	Fuel Tank	1
F03-4	90681-Z010820-0000	Ring, Seal	2
F03-5	90740-Z010510-00A0	Collar	1
F03-6	30431-Z010110-0000	Jacket, Rubber	1
F03-7	90305-0600-31A0	Hexagon Nut With Flange	2
F03-8	90001-0632-01A0	Hexagon Socket Flange Face Bolt - Small Series	1
F03-9	90686-Z012710-00M1	Tube, Fuel	1
F03-10	90685-D095-0EA0	Pipe Clamp	1